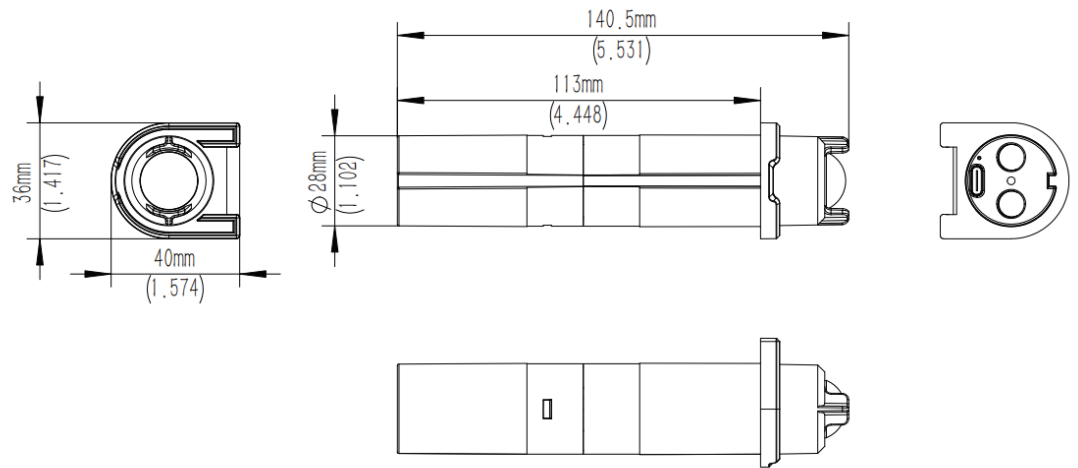


OTTOVAC Li-ion Battery HEAVY LIFTING MADE EASY



Specifications:

OTTOVAC Li-ion Battery	
Type	Li-ion 2000mAh / 7.4 V (2 x 3.7 V)
L x W x H	5.53 x 1.57 x 1.41" (140.5 x 40 x 36mm)
Weight	0.275 Lbs (0.125kg)
Rated Capacity	2.0 Ah
Nominal Voltage	7.4 V
Charge Voltage	8.4 V
Charge Current	1000mA
Operating Temperature	32 - 115 °F (0 - 45°C) Charge / -4 - 140°F (-20 - 60°C) Discharge
Rated Power	3A
Storage Temperature	-40 - 257°F (-40°C - 125°C)
Overcharge Protection	4.25 V
Features	Overcharge / Over discharge / Over current protection
Long Term Storage	For storage over 3 months store in dry and cool place at 40 - 70°F (5 - 20°C) charged to 5.9 - 6.6 V (80% - 90% of full charge)

GRABO headquarters:

Eastern Commerce Center
6000 S Eastern Ave
Unit 9E
Las Vegas, Nevada, 89119

Info@GRABO.com

www.GRABO.com

Main Office:

+1 (844) 430-0510

Help & Warranty:

+1 (702) 718-2433

By Nemo Power Tools -
www.GRABO.com

