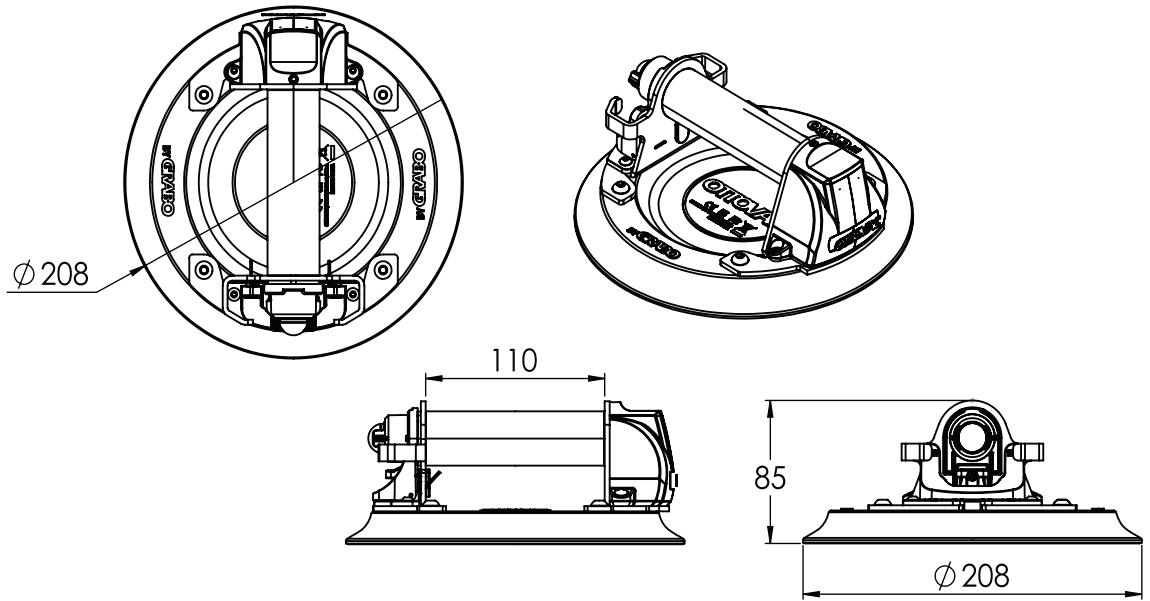


OTTOVAC DIGITAL HEAVY LIFTING MADE EASY



Specifications:

Applicable Surface Type Peak/valley heights less than 0.1" (3mm), arc less than 5°

OTTOVAC DIGITAL	
Battery	7.4V 2000mAh Li-ion
Working voltage	7.4V
Rated power	3 W
Rated air flow	4 L/min
Maximum vacuum rate	-0.6 bar (-60 kPa)
Maximum lifting capacity	150 kg (330 lbs)
Dimensions	208x208x85 mm
Net weight (with battery)	1.2 kg (2.6 lbs)
Working temperature	0-60°C (32-140°F)

Estimated maximum lifting forces as tested on different materials		
	Perpendicular holding force	Parallel holding force
Glass	150kg / 330 lbs	150kg / 330 lbs
Ceramic tile	150kg / 330 lbs	150kg / 330 lbs

Notice: When the vacuum level drops below -0.55 BAR the OTTOVAC DIGITAL will automatically start the pump (when the pump is switched on) thereby achieving the pressure required for use.

Based on product information at time of publication, environmental conditions can affect the product performance and longevity. Consult the product manual on GRABO.com or contact a sales representative for more information.

GRABO headquarters:

Eastern Commerce Center
6000 S Eastern Ave
Unit 9E
Las Vegas, Nevada, 89119

Info@GRABO.com

www.GRABO.com

Main Office:

+1 (844) 430-0510

Help & Warranty:

+1 (702) 718-2433

By Nemo Power Tools-
www.GRABO.com

